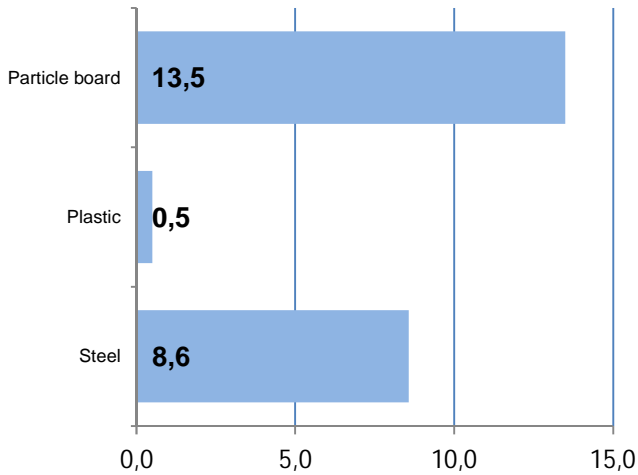


<b>Product name:</b>	<b>Alku</b>
<b>Product type:</b>	<b>table</b>
<b>Launched:</b>	<b>1.1.2013</b>
<b>Product group:</b>	<b>203A</b>
<b>Product code:</b>	<b>4003656</b>
<b>Total CO2 [kg]:</b>	<b>18,7</b>
<b>Total weight [kg]:</b>	<b>22,6</b>
<b>Product info:</b>	table top 140 x 60, white meta base and white laminate top



**Materials in weight [kg]**



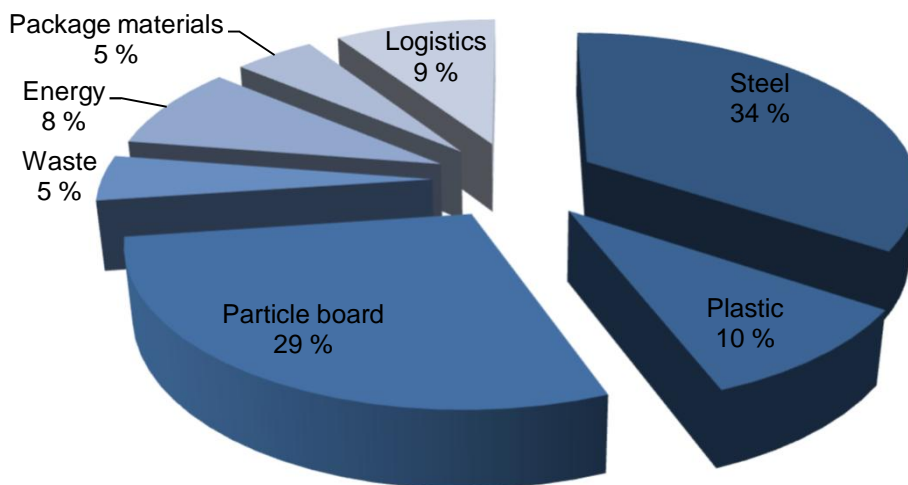
**Reuse and recycle information**

This product is designed to be long lasting and withstand the test of time. When you no longer need this product, a new user can gain value from it. Even after a long use, the product can be refurbished or remanufactured to obtain a new life. Left over materials that cannot be reused can be recycled or recovered as energy. The estimated CO2 savings potential of refurbishment of this product is included below.

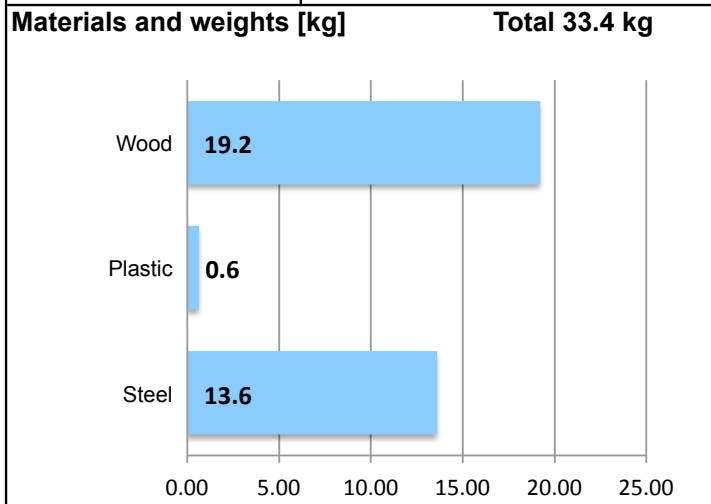
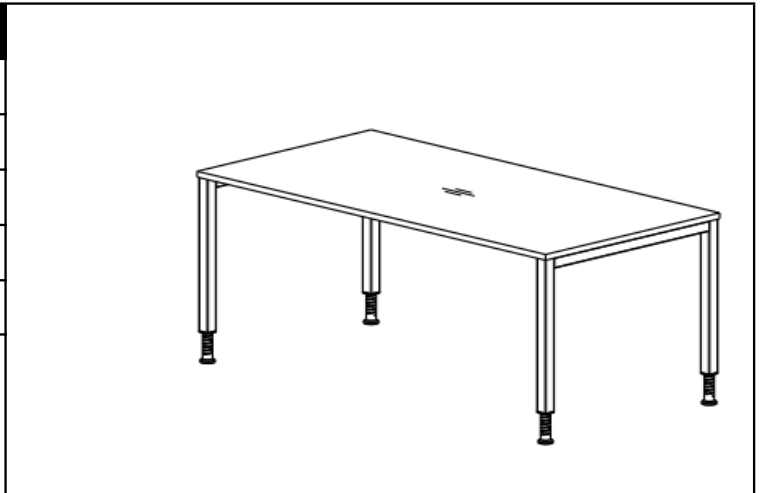
Please contact us at [www.martela.com](http://www.martela.com)

**CO2 savings potential through refurbishment: 13 kg**

**CO2 division [kg CO2e]**



<b>Product name:</b>	<b>Alku</b>
<b>Product type:</b>	<b>Workstation</b>
<b>Launched:</b>	<b>1/1/13</b>
<b>Product group:</b>	<b>203A</b>
<b>Product code:</b>	<b>499B80160</b>
<b>Total CO2:</b>	<b>23.1 kg</b>



**Reuse and recycle information**

This product is designed to be long lasting and withstand the test of time. When you no longer need this product, a new user can gain value from it. Even after a long use, the product can be refurbished or remanufactured to obtain a new life. Left over materials that cannot be reused can be recycled or recovered as energy. The estimated CO2 savings potential of refurbishment of this product is included below.

Please contact us at [www.martela.com](http://www.martela.com)

**CO2 savings potential through refurbishment: 18 kg**

