

GRIP NxT

DESIGN MIKKO HALONEN



Product code number:

NxT0011 = high backrest with lifting hole

NxT0011M = low backrest

Adjustments:

Can be hung without a separate fitting.

Stackable.

Fabric consumption: 0.5 m / 2 pcs

Accessories:

Felt glides, row connection and a transport trolley.

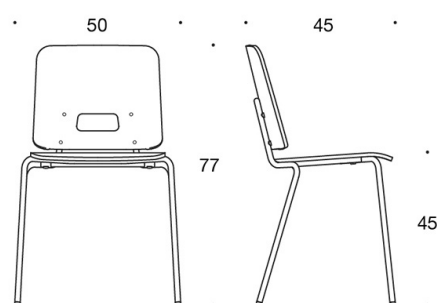
Material description:

Base: chrome, painted grey, white, black or Inspiring Colours.

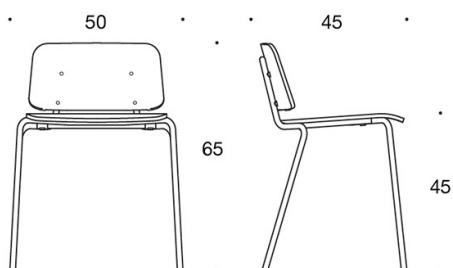
Row connection available.

The form-pressed seat and backrest in laminate: oak or birch pattern, white, grey, green, orange and turquoise.

Upholstered seat cushion also available.



NXT0011



NXT0011M

GRIP Nxt

DESIGN MIKKO HALONEN

Inspiring
spaces

Martela



L27



L31



L32



L11



L43



TL1



KL