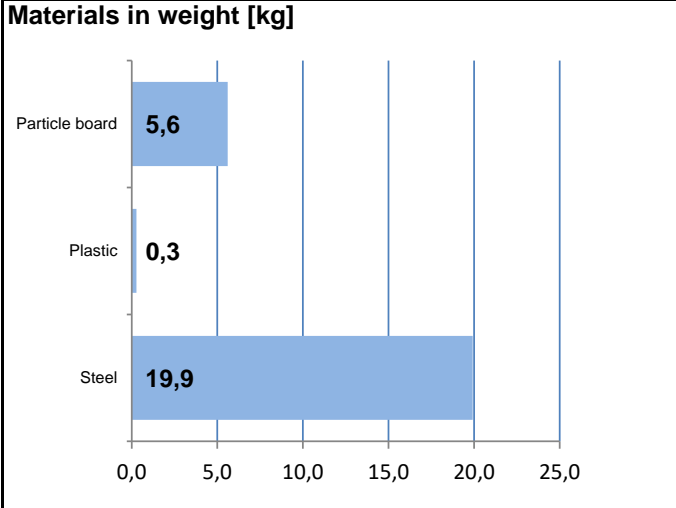
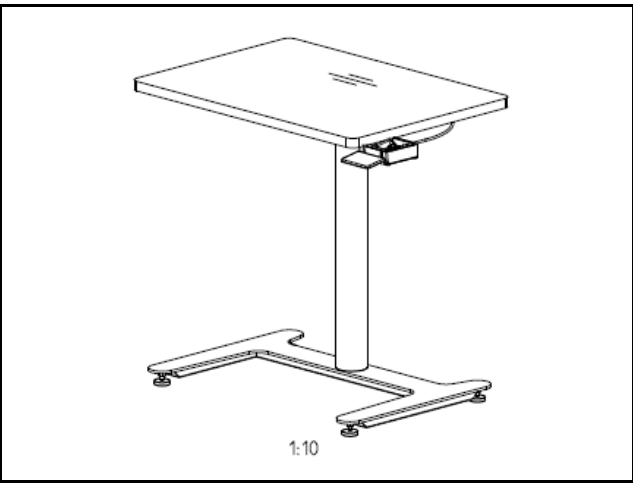


Product name:	Jojo-table
Product type:	Table
Launched:	15.1.2023
Product group:	207A
Product code:	789526
Total CO2 [kg]:	23,4
Total weight [kg]:	25,8
Product info:	Calculation is done for laminate table top 70x50cm rounded corners, column gas spring and H-base with glides

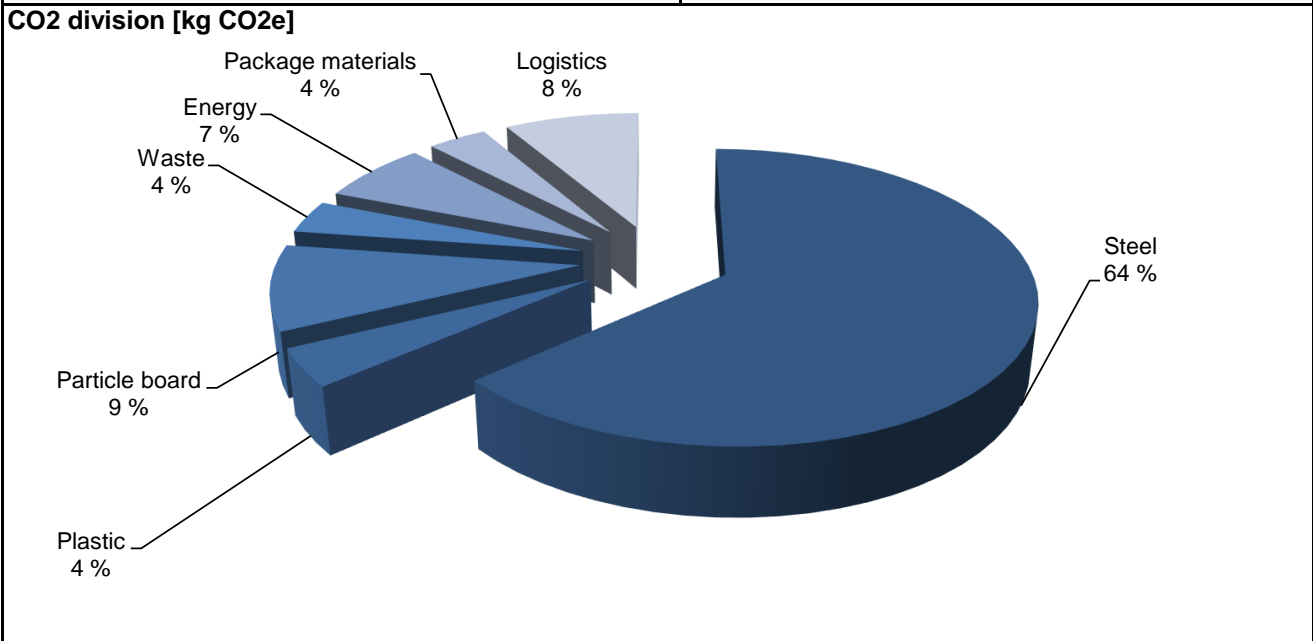


Reuse and recycle information

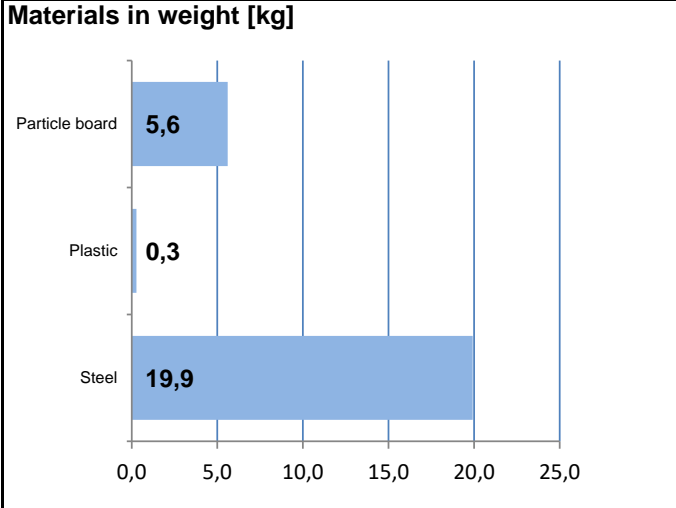
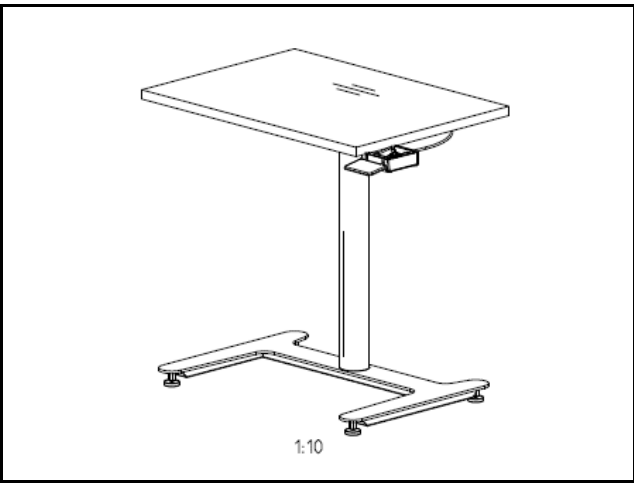
This product is designed to be long lasting and withstand the test of time. When you no longer need this product, a new user can gain value from it. Even after a long use, the product can be refurbished or remanufactured to obtain a new life. Left over materials that cannot be reused can be recycled or recovered as energy. The estimated CO2 savings potential of refurbishment of this product is included below.

Please contact us at www.martela.com

CO2 savings potential through refurbishment: 17 kg



Product name:	Jojo-table
Product type:	Table
Launched:	15.1.2023
Product group:	207A
Product code:	785832
Total CO2 [kg]:	23,4
Total weight [kg]:	25,8
Product info:	Calculation is done for laminate table top 70x50cm, column gas spring and H-base with glides

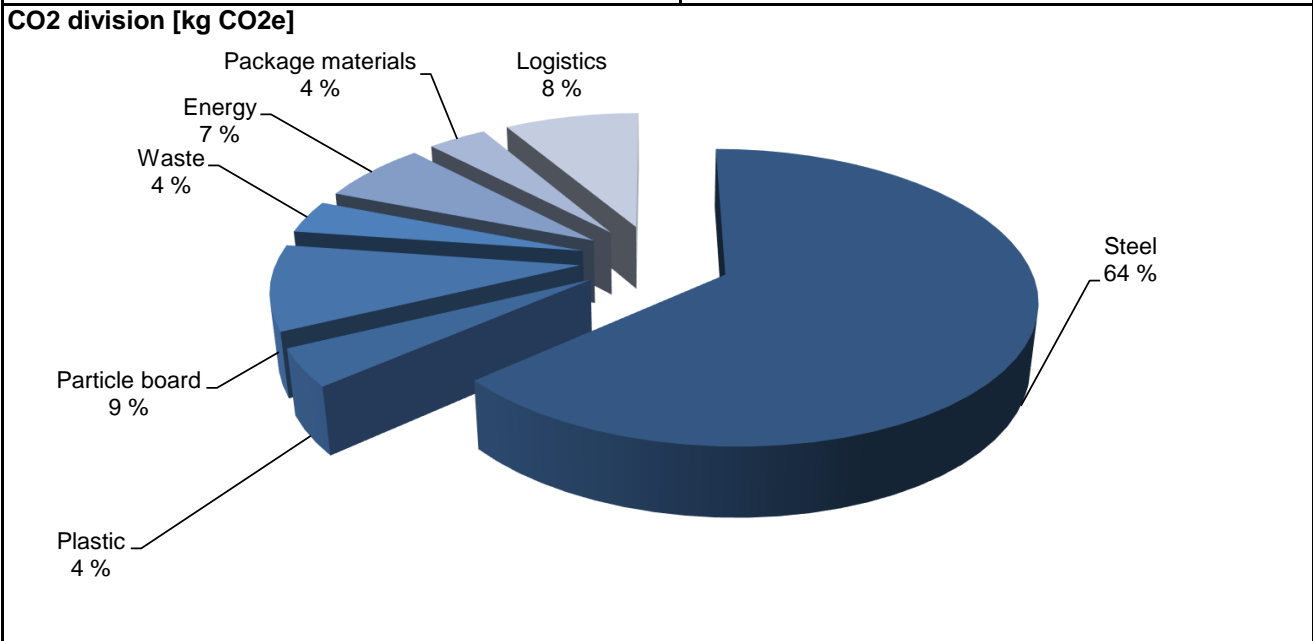



Reuse and recycle information

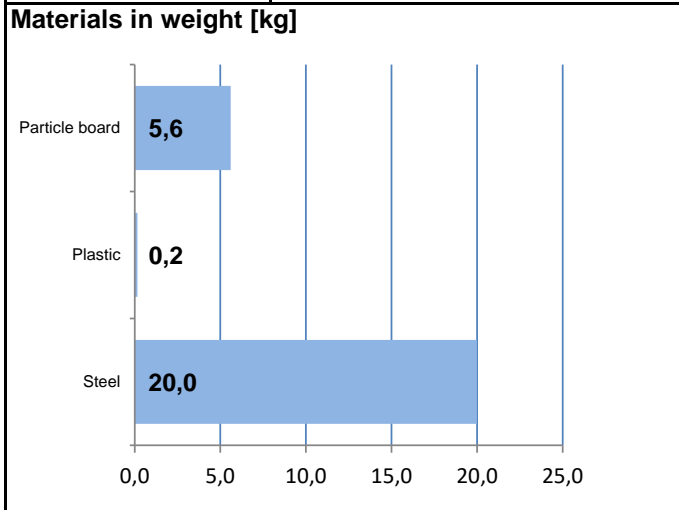
This product is designed to be long lasting and withstand the test of time. When you no longer need this product, a new user can gain value from it. Even after a long use, the product can be refurbished or remanufactured to obtain a new life. Left over materials that cannot be reused can be recycled or recovered as energy. The estimated CO2 savings potential of refurbishment of this product is included below.

Please contact us at www.martela.com

CO2 savings potential through refurbishment: 17 kg



Product name:	Jojo-table	
Product type:	Table	
Launched:	15.1.2023	
Product group:	207A	
Product code:	789562	
Total CO2 [kg]:	23,0	
Total weight [kg]:	25,7	
Product info:	Calculation is done for laminate table top 70x50cm, column gas spring and H-base with castors	

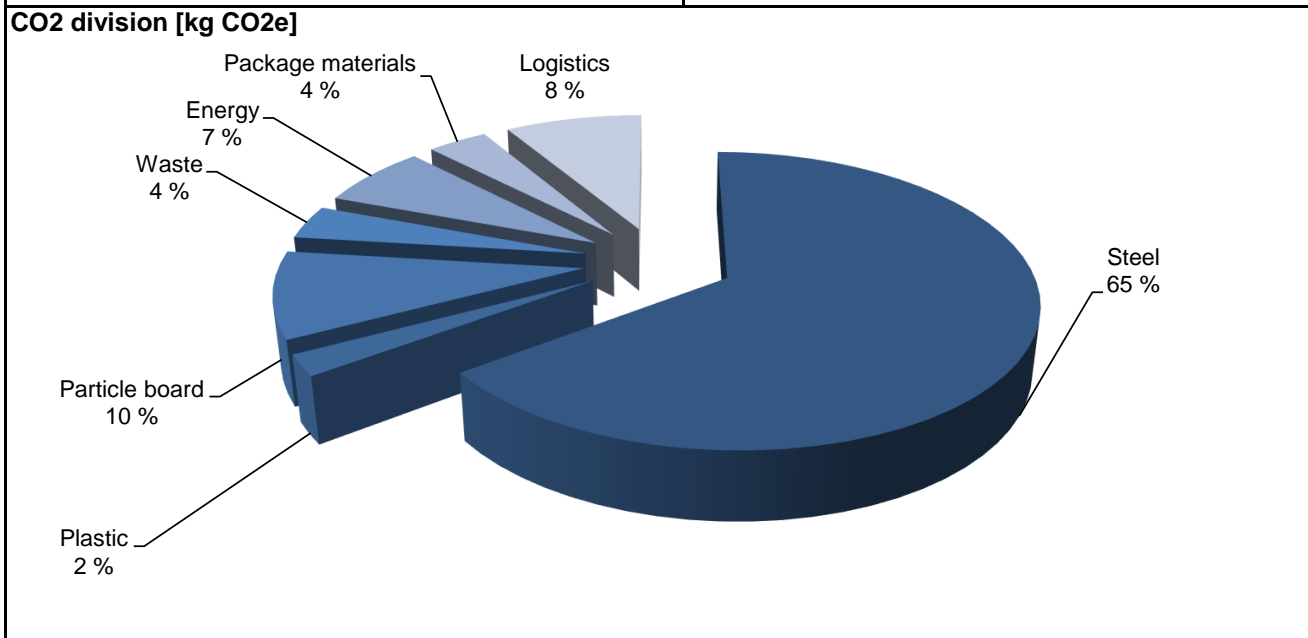


Reuse and recycle information

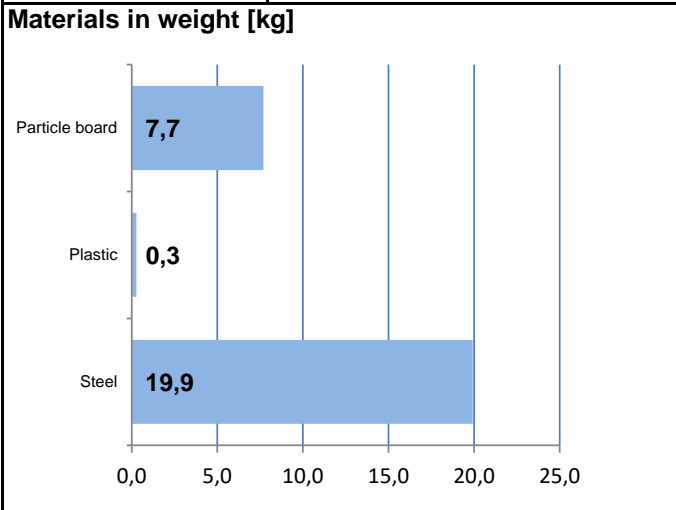
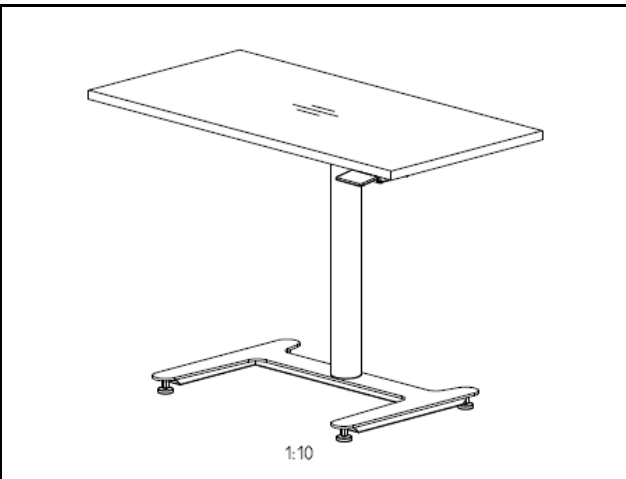
This product is designed to be long lasting and withstand the test of time. When you no longer need this product, a new user can gain value from it. Even after a long use, the product can be refurbished or remanufactured to obtain a new life. Left over materials that cannot be reused can be recycled or recovered as energy. The estimated CO2 savings potential of refurbishment of this product is included below.

Please contact us at www.martela.com

CO2 savings potential through refurbishment: 17 kg



Product name:	Jojo-table
Product type:	Table
Launched:	15.1.2023
Product group:	207A
Product code:	789514
Total CO2 [kg]:	24,4
Total weight [kg]:	27,9
Product info:	Calculation is done for laminate table top 80x60cm, column gas spring and H-base with glides

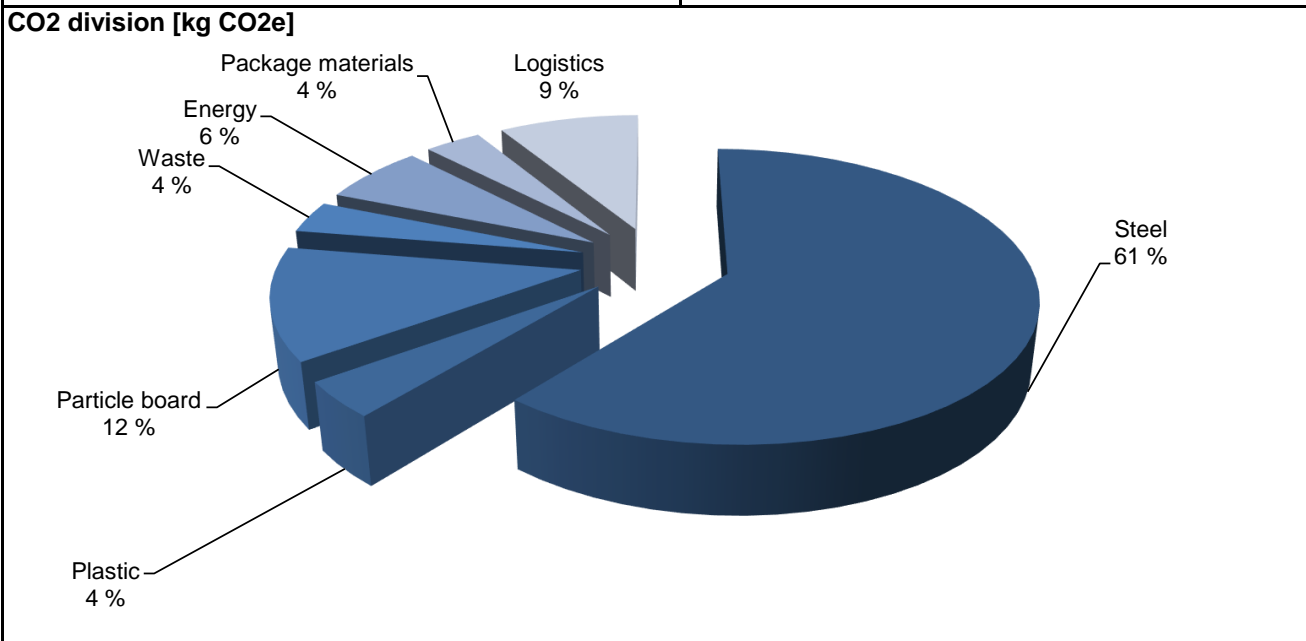


Reuse and recycle information

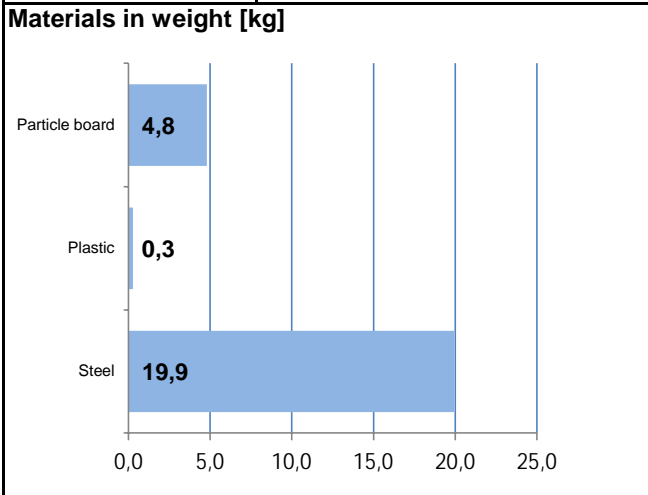
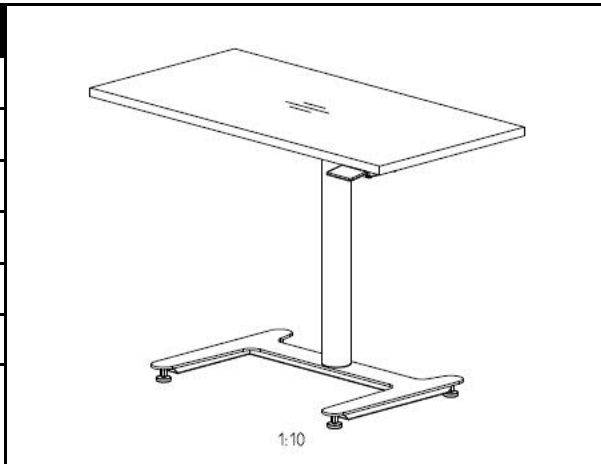
This product is designed to be long lasting and withstand the test of time. When you no longer need this product, a new user can gain value from it. Even after a long use, the product can be refurbished or remanufactured to obtain a new life. Left over materials that cannot be reused can be recycled or recovered as energy. The estimated CO2 savings potential of refurbishment of this product is included below.

Please contact us at www.martela.com

CO2 savings potential through refurbishment: 18 kg



Product name:	Jojo-table
Product type:	Table
Launched:	15.1.2023
Product group:	207A
Product code:	789514
Total CO2 [kg]:	23,1
Total weight [kg]:	25,0
Product info:	Calculation is done for laminate table top 60x50cm, column gas spring and H-base with glides



Reuse and recycle information

This product is designed to be long lasting and withstand the test of time. When you no longer need this product, a new user can gain value from it. Even after a long use, the product can be refurbished or remanufactured to obtain a new life. Left over materials that cannot be reused can be recycled or recovered as energy. The estimated CO2 savings potential of refurbishment of this product is included below.

Please contact us at www.martela.com

CO2 savings potential through refurbishment: 17 kg

